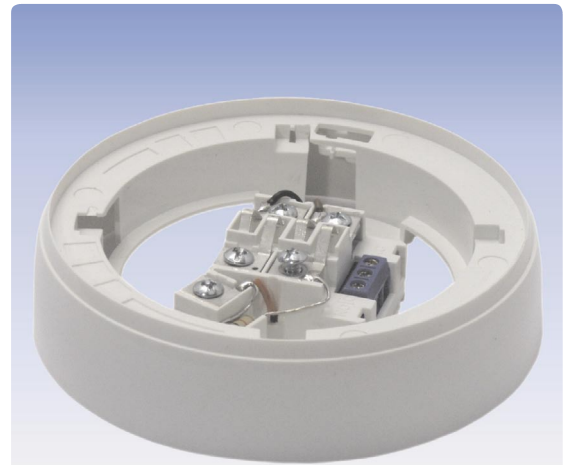


Relay Base Series FC600

FC600/BREL

- **Suitable for automatic detectors in conventional technology**
- **Relay output with dry changeover contact**
- **Designed for indoor surface mounting**
- **Terminals for connection of external remote indicator**
- **Anti-tamper locking feature**



Description

The detector base FC600/BREL is designed for the easy connection of automatic detectors of Series FC600 in conventional technology. Thanks to its robust sharable connection terminals, the detectors can be durably wired in secure screw joints with virtually no effort. The base provides an easy connection option for an external remote indicator and is designed for wall mounting in dry rooms. The integrated relay output with a dry changeover contact is active when the detector is in the alarm condition. By breaking out a plastic bolt in the base, the detector that has been inserted can be secured against unauthorized removal.

The detector base FC600/BREL is designed for the easy connection of automatic detectors of Series FC600 in conventional technology. Thanks to its robust sharable connection terminals, the detectors can be durably wired in secure screw joints with virtually no effort. The base provides an easy connection option for an external remote indicator and is designed for wall mounting in dry rooms. The integrated relay output with a dry changeover contact is active when the detector is in the alarm condition. By breaking out a plastic bolt in the base, the detector that has been inserted can be secured against unauthorized removal.

Specifications

Operating voltage	10 – 28VDC
Current consumption	max. 3µA (normal condition), 17mA (active)
Contact rating	1A at 30VDC
Ambient temperature	-30°C to +70°C
Relative humidity	5 – 95% (no condensation)
Dimensions ø × h	111 × 27 (mm)
Colour	white
Weight	58g
Order number	246072
Order name	Detector Relay Base/FC600 FC600/BREL